

Prestige **AM Series**

GRADE 3 ANTI-MASKING DETECTORS

Inspired by a design philosophy of contemporary styling combined with the most innovative advanced detection performance, the Prestige AM Series is intended for those who require the very best.

The result is a timeless series of Grade 3 component standard motion detectors that surpass EN 50131 Grade 3 security system requirements.

With unrivalled detection technologies, **Active IR Anti-Masking, Local Self Test, Remote Self Test, Triple End-Of-Line (T-EOL) Signalling** and **Remote LED Disable**, the Prestige AM Series strengthens Texecom's reputation for providing world-class detector performance.



Prestige AMQD Plus Genuine Quad Element PIR

- 15m Genuine Quad Element Detection
- Wall Tamper Detection
- TS 50131-2-2 Grade 3 Compliance



Prestige AMDT Plus Dual Technology Detector

- 15m Volumetric PIR & Microwave Detection
- Wall Tamper Detection
- TS 50131-2-4 Grade 3 Compliance



Prestige AM360 QD Ceiling Mount Quad PIR

- Omni-directional Quad Element Pyro for True 360° Coverage
- Ceiling Tamper Detection
- TS 50131-2-2 Grade 3 Compliance

Prestige AM Series - Grade 3 Anti-Masking Detectors



Prestige AMQD Plus

Grade 3 anti-masking digital quad PIR. Genuine quad element detection provides exceptional performance. Active IR anti-masking, Triple End-of-Line (T-EOL) signalling, wall tamper detection and local self test & remote self test exceed requirements for EN 50131-1 and TS 50131-2-2 Grade 3.



Prestige AMDT Plus

Grade 3 anti-masking digital dual technology detector. Features fully adjustable microwave range and digital PIR temperature compensation. Active IR anti-masking, Triple End-of-Line (T-EOL) signalling, wall tamper detection and local self test & remote self test exceed requirements for EN 50131-1 and TS 50131-2-4 Grade 3.



Prestige AM360 QD

Grade 3 anti-masking digital quad ceiling PIR. Omni-directional quad element pyro for true 360° coverage. Active IR anti-masking, Triple End-of-Line (T-EOL) signalling, ceiling tamper detection and local self test & remote self test exceed requirements for EN 50131-1 and TS 50131-2-2 Grade 3.



Grade 3 Component Standards Compliance

All products in the Prestige AM Series exceed the requirements of the EN 50131 Grade 3 Component Standards, TS 50131-2-2 and TS 50131-2-4. This ensures the Prestige AM Series is truly a range of exceptional detectors that completely revolutionise anti-masking detector security.



Active IR Anti-Masking

All models in the Prestige AM Series use Texecom's optically enhanced Active IR technique, the most secure and reliable anti-masking technology on the market.

The Prestige AMQD Plus & Prestige AMDT Plus utilise two active IR LED's, each deliberately orientated within a carefully engineered insect-proof sealed optical chamber, that transmit through the detector lens. This IR signal is then reflected back through the installation environment to an IR receiver, also located within the detector optical area. The Prestige AM 360 QD features the same Active IR technology, utilising a single LED to protect the optical area.

If a material is placed close to the detector, the IR signal reflected back to the detector will increase and will be detected as a masking attempt. If an IR absorbent material is placed in front of the detector, the level of signal will reduce and a masking attempt will also be detected.

The Active IR LED power output on all models provides 100% lens coverage protection and, when combined with Texecom's proprietary digital signal processing algorithms, deliver exceptional anti-masking pick-up whilst actively discriminating against false masking sources.

Triple End-Of-Line (T-EOL)

Grade 3 requires detectors to signal alarm, tamper, masking and fault conditions to a compatible Grade 3 control panel. All detectors in the Prestige AM Series use a Triple End-Of-Line (T-EOL) method of signalling. This allows all four signal conditions to be transmitted on a single pair of wires, using only one control panel zone per detector.



Prestige AM Series

...Grade 3 Anti-Masking Detectors

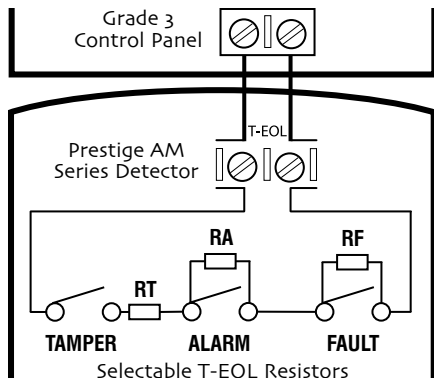
Prestige AM Series Selection Guide & Technical Specifications

Triple End-of-Line (T-EOL)

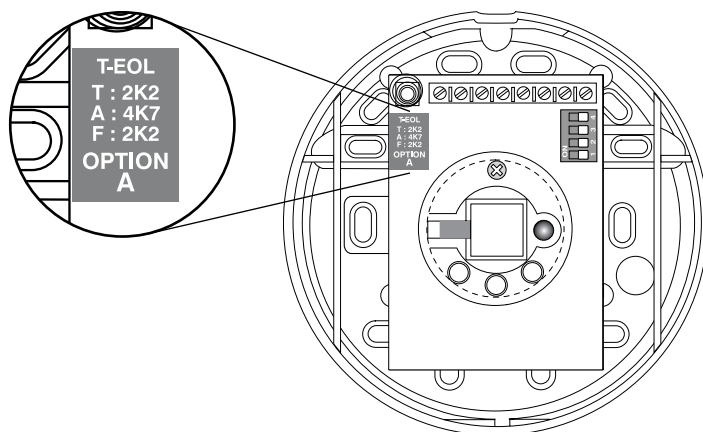
The Prestige AM Series uses T-EOL to communicate alarm, tamper, masking and fault over a single pair of wires. Note: masking is signalled by the alarm and fault relays opening simultaneously.

Prestige AM360 QD and Prestige AMDT Plus: T-EOL plug-on boards are used to select different resistance values. Option A with resistance values for use with Texecom's Premier Series control panels is fitted as default. An additional T-EOL board (Option B) for use with other major brands of control panels is also supplied. A range of other T-EOL boards are available separately.

Prestige AMQD Plus: PCB jumpers are used to select different T-EOL resistance values. Option 1 is the default setting for use with Texecom's Premier Series control panels. Alternative PCB jumper selections cover other major brands of control panels. A range of other T-EOL boards are available separately.



T-EOL Plug-on Board



Minimum Premier Software Version Compatibility:

Premier 24:	V7	Premier 412/816:	V10.0
Premier 48:	V7	Premier 832:	V3.0
Premier 88/168:	V7	Keypads:	V7
Premier 640:	V7	Expanders:	V7

Physical Specifications

40mm (1.6")

112.25mm (4.4")

60mm (2.4")

113mm (4.4")

30mm (1.2")

Prestige AMQD Plus

Storage Temperature:
-35°C (-31°F) to +60°C (+140°F)

Packed Weight:
AMQD Plus/AMDT Plus: 150g (5oz)/
170g (6oz) approx.
AM360 QD: 125g (4.5oz) approx.

Features & Functions

	Prestige AMQD Plus	Prestige AMDT Plus	Prestige AM360 QD
Detection Range	15m	15m	10.5m at 3.6m
Detection Technology	QUAD	PIR & MW	QUAD
Digital Microprocessor Technology	•	•	•
Digital Temperature Compensation	•	•	•
Digital Pulse Count	•	•	•
Triple End-of-Line (T-EOL)	•	•	•
Active IR Anti-Masking	•	•	•
Remote Self Test	•	•	•
Mounting Tamper Microswitch	•	•	•
Creep Zone Mirror	•	•	N/A
Remote LED Disable	•	•	•
TS 50131-2-2	Grade 3	N/A	Grade 3
TS 50131-2-4	N/A	Grade 3	N/A
EN 50131	Grade 3	Grade 3	Grade 3

European Standards

PD 6662 & EN 50131 Grade 3 Environmental Class II.
 Conforms to European Union (EU) Electro-Magnetic Compatibility (EMC) Directive 89/336/EEC (amended by 92/31/EEC & 93/68/EEC).
 Approved to BS EN 55022 Class B & BS EN 50130-4 : 1996.
 The CE mark indicates that this product complies with the European requirements for safety, health, environmental & customer protection.



Certificate Number: FM 35285

